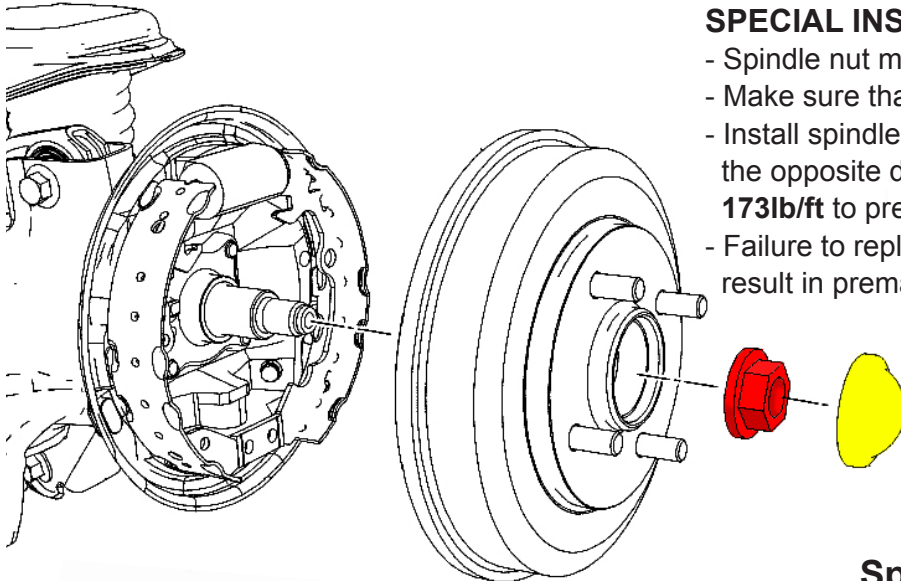


2000-2011 Ford Focus Retaining Nut / Hub Cap Replacement.

The rear spindle nut should be replaced when servicing rear drums on all 2000-2011 Ford Focus vehicles. Centric offers this O.E. quality replacement spindle nut, **PN#: 124.61901** and hub cap, **PN# 124.61902** to be used with part numbers: **122.61043, 123.61043 and 122.61050.**



SPECIAL INSTRUCTIONS:

- Spindle nut must be replaced.
- Make sure that the spindle is clean before installing drum.
- Install spindle nut finger tight, Rotate the brake drum 10 times in the opposite direction when tightening the wheel hub nut to **173lb/ft** to prevent damage to the bearing.
- Failure to replace spindle nut and follow this procedure may result in premature bearing failure.

Spindle nut PN#: 124.61901
Jobber = \$12.50

Hub cap PN# 124.61902
Jobber = \$2.95



* 1999-2002 Production Vehicles:

Certain 1999-2002 production vehicles do not have the inner seal located on the stub axle. These vehicles require Ford Part Number: **1M5Z-1S175-AC (Motorcraft Part Number: BRS-117)** seal kit to prevent premature deterioration of wheel bearing.



14528 Bonelli Street
City of Industry, CA
www.everythingbrakes.com
www.centricparts.com